

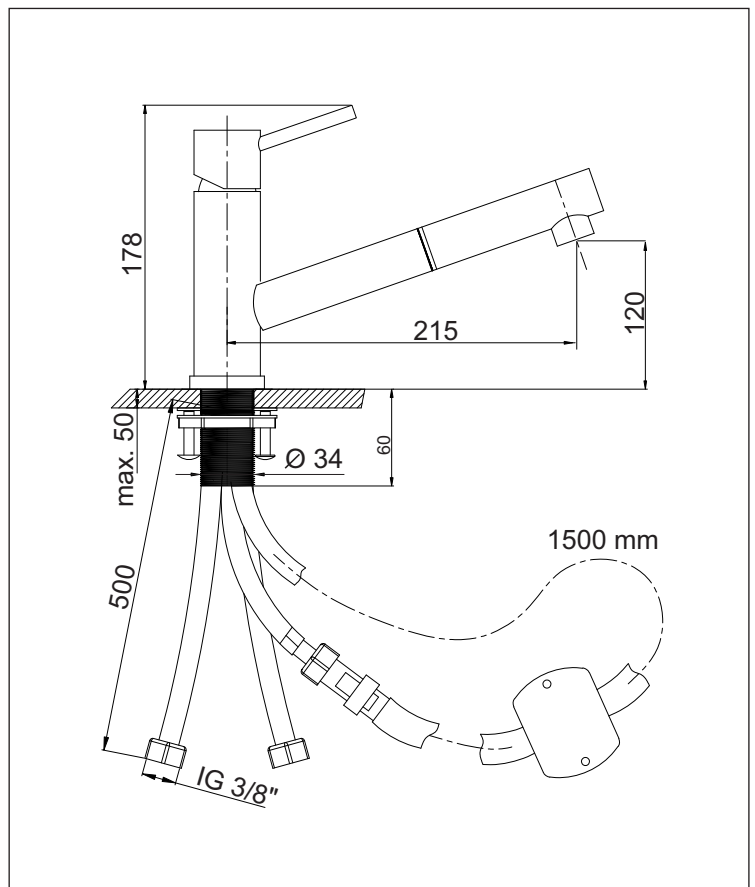
MAGICSTEEL

KAJA MAGICSTEEL Single-lever sink mixer DN10 Stainless steel



flow rate A
output 8 l/min
at 3 bar flow pressure

with pull-out swivel-spout,
extension 215 mm, aerator,
flexible connection hoses 3/8",
mixing cartridge with ceramic-discs
material: stainless steel



finish	code
stainless steel matt brushed	53832-ES