

# MIX




## KAJA MIX Single-lever basin mixer DN15 P-IX 7744/IA with pop-up waste

flow rate A  
output 13 l/min  
at 3 bar flow pressure


with pop-up waste  
aerator M24x1,  
quick installation system,  
stainless steel braided flexible supplies  
mixing cartridge with SiC-/ceramic-discs  
and adjustable temperature limiter

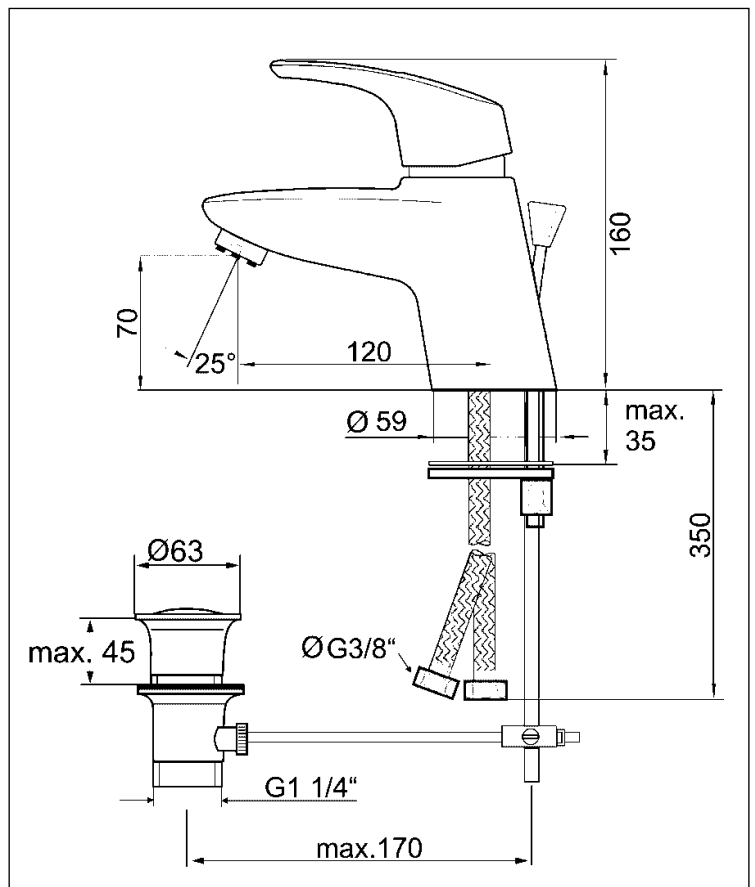
finish	code with solid lever	code with loop lever
chrome	33020-C	36020-C
chrome/gold	33020-C/G	36020-C/G
velour chrome	33020-E	36020-E
white	33020-W	36020-W
white/gold	33020W/G	36020-W/G
stainless steel finish	33020-ESO	36020-ESO
high-grade brass	33020-EM	36020-EM
aranja	33020-A	36020-A
aranja/gold	33020-A/G	36020-A/G
bronze	33020-B	36020-B

**different product options** (see following pages)

for unpressurised water heaters  
with pop-up waste 

without hole for pop-up rod

for unpressurised water heaters,  
without hole for pop-up rod 



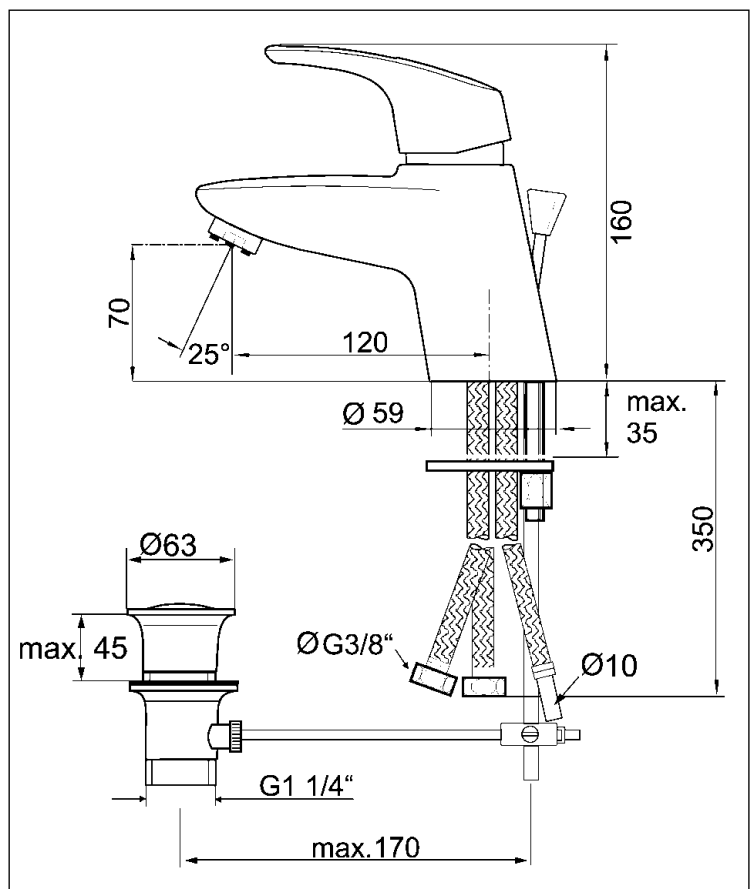
# MIX



## KAJA MIX Single-lever basin mixer DN15 for unpressurised water heaters ⚡ with pop-up waste

with pop-up waste  
anti-splash nozzle M24x1,  
quick installation system,  
stainless steel braided flexible supplies  
mixing cartridge with SiC-/ceramic-discs  
and adjustable temperature limiter

finish	code with solid lever	code with loop lever
chrome	33915-C	36915-C
chrome/gold	33915-C/G	36915-C/G
velour chrome	33915-E	36915-E
white	33915-W	36915-W
white/gold	33915-W/G	36915-W/G
stainless steel finish	33915-ESO	36915-ESO
high-grade brass	33915-EM	36915-EM
aranja	33915-A	36915-A
aranja/gold	33915-A/G	36915-A/G
bronze	33915-B	36915-B





# MIX

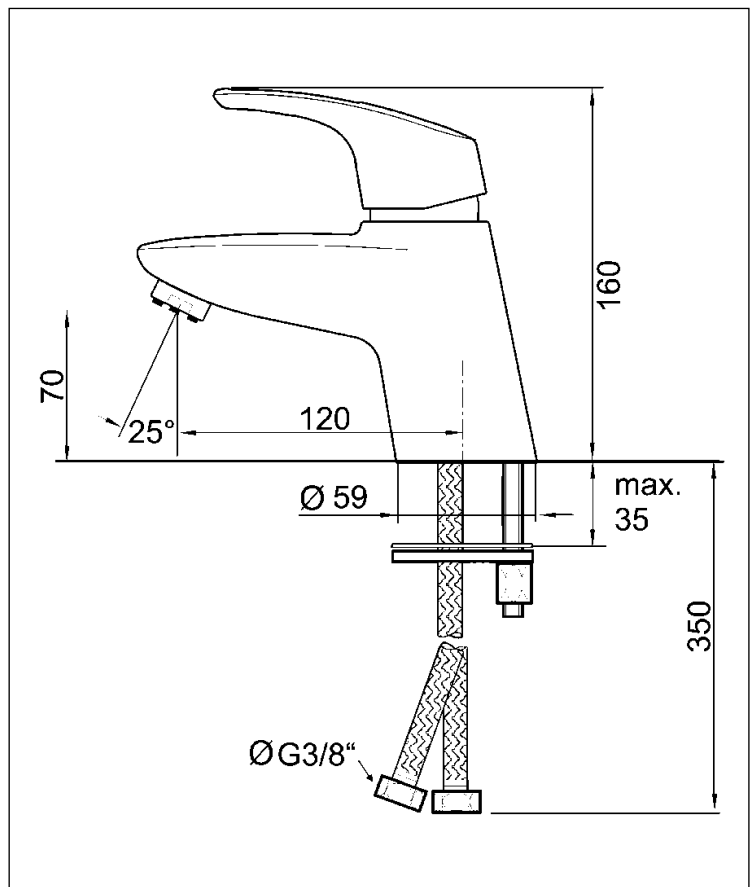


## KAJA MIX Single-lever basin mixer DN15

flow rate A  
output 13 l/min  
at 3 bar flow pressure

without hole for pop-up rod,  
aerator M24x1,  
quick installation system,  
stainless steel braided flexible supplies  
mixing cartridge with SiC-/ceramic-discs  
and adjustable temperature limiter

finish	 code with solid lever	 code with loop lever
chrome	33010-C	36010-C
chrome/gold	33010-C/G	36010-C/G
velour chrome	33010-E	36010-E
white	33010-W	36010-W
white/gold	33010-W/G	36010-W/G
stainless steel		
finish	33010-ESO	36010-ESO
high-grade brass	33010-EM	36010-EM
aranja	33010-A	36010-A
aranja/gold	33010-A/G	36010-A/G
bronze	33010-B	36010-B





# MIX



## KAJA MIX Single-lever basin mixer DN15 for unpressurised water heaters ⚡

without hole for pop-up rod,  
anti-splash nozzle M24x1,  
quick installation system,  
stainless steel braided flexible supplies  
mixing cartridge with SiC-/ceramic-discs  
and adjustable temperature limiter

finish	 code with solid lever	 code with loop lever
chrome	33910-C	36910-C
chrome/gold	33910-C/G	36910-C/G
velour chrome	33910-E	36910-E
white	33910-W	36910-W
white/gold	33910-W/G	36910-W/G
stainless steel		
finish	33910-ESO	36910-ESO
high-grade brass	33910-EM	36910-EM
aranja	33910-A	36910-A
aranja/gold	33910-A/G	36910-A/G
bronze	33910-B	36910-B

